

G2400M Push Lock

Features

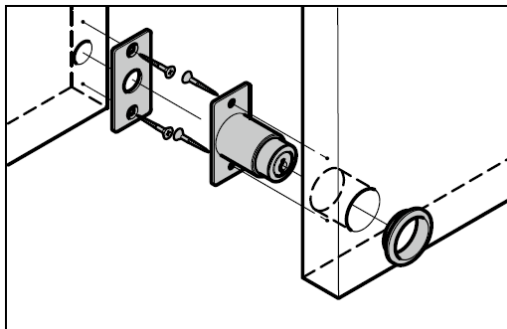
- Ideal for wooden double sliding doors, can also be used for metal framed glass doors and sheet metal double sliding doors when mounting plate is removed
- Push the cylinder to lock without using the key
- Turn key 45° to the right to unlock. Turn key 45° to the left to lock and remove the key
- 47,000 key changes available. Master key system available on request (max. 1,000 key changes per master key)

Parts Included

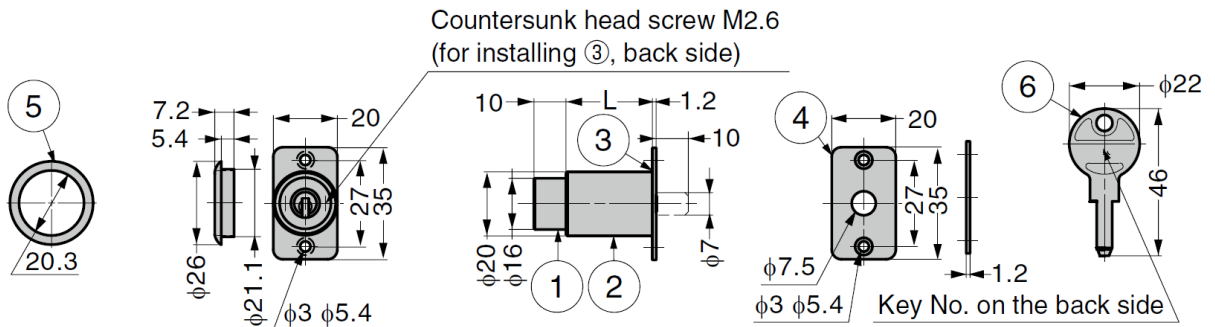
- Countersunk head wood screw 2.7×16 (SUS)



Installation



No.	Part Name	Material	Finish
①	Body	Brass	Chrome
②	Cylinder Case	Zinc Alloy (ZDC)	
③	Mounting Plate	Stainless Steel (SUS304)	Barrel
④	Strike		Polished
⑤	Ring	Brass	Chrome
⑥	Key		Nickel



Part No.	Key Type	Cylinder Diameter	Door Thickness	L
G2400M-20-B	Keyed Differently	16	20	22
G2400M-20-D	Keyed Alike			
G2400M-25-B	Keyed Differently		25	27
G2400M-25-D	Keyed Alike			